

# Albeo™ LED Luminaire

LED High Bay Lighting  
(ABV2 - Series)



Project name \_\_\_\_\_

Date \_\_\_\_\_

Type \_\_\_\_\_

## Product Description:

The Albeo™ ABV2 LED luminaire is an exceptional mixture of value and performance. Ideal for high bay and low bay applications in industrial and commercial buildings. Designed to replace 250W-1500W HID and four-to-eight-lamp T5/T8 HIF fixtures with unmatched reliability and quality.

## Performance Highlights:

**Light Output Range:** 9,000 – 36,000 lumens

**CRI:** 70 & 80 CRI (90CRI Refer to factory for lead-time)

**CCT:** 3000K, 3500K, 4000K, 5000K

**Distributions:** 120°, 90°, 55° no lens, diffused & clear lens options

**Input Voltage:** 120V-277V, 347V, & 480V

**Efficiency:** Up to 172 LPW

**Fixture Rated:** L70 @ 100,000 hours minimum

**Limited Warranty:** 5 Years

**Temperature Rating:** Temperature Rated at -30°C to +55°C (-22°F to 131° F).

\*E output temperature rated at -30°C to +40°C (-22°F to +104°F) for 120-277V with a maximum temperature rating reduced by 2° C for 347/480V.

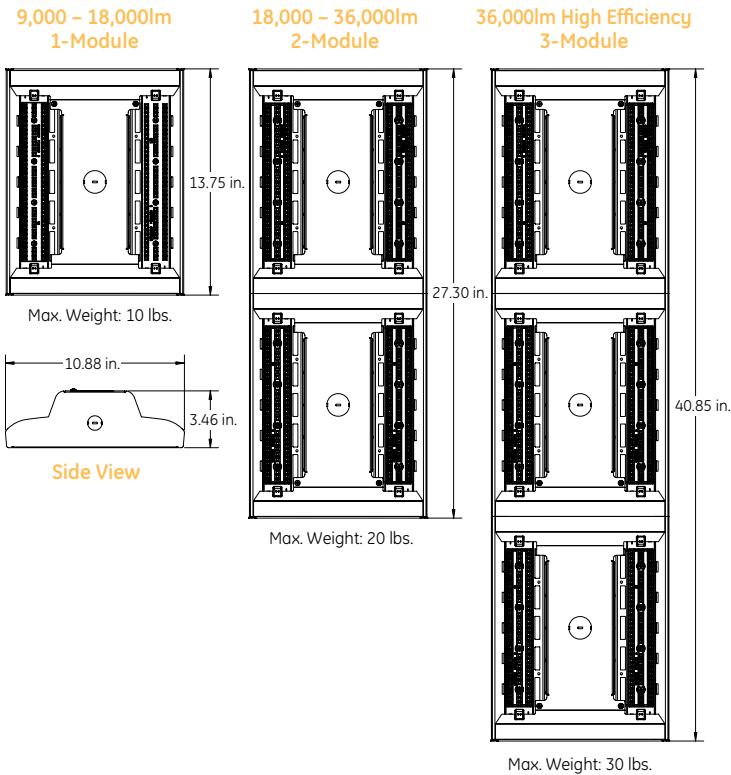
**Controls & Sensors:** 0-10V standard, Motion & daylight sensor options. Wireless ZigBee Daintree compliant options.



## Product Images:



## Product Dimensions:



## Certifications:



# Ordering Number Logic

## Industrial High Bay & Low Bay Lighting

### (ABV2-Series)



Project name \_\_\_\_\_

Date \_\_\_\_\_

Type \_\_\_\_\_

**ABV2**

**W**

PRODUCT ID	VOLTAGE	MODULE	LUMEN OUTPUT	LED COLOR TEMP	OPTICS/ LENS	MOTION/DAYLIGHT SENSOR	CONTROL WIRING	MOUNTING	CORD	PLUG	FINISH	OPTIONS
ABV2 = Albeo Highbay ABV 2nd Gen Generation	0 = 120/277 1 = 120* 2 = 208* 4 = 277* 5 = 480* D = 347*	1 = 1 module 2 = 2 modules 3 = 3 modules* <b>*NOTE:</b> V Output Only	T = Standard V = Very High E = Elevated Output	<b>70 Plus CRI</b> 47 = 4000K 57 = 5000K  <b>80 Plus CRI</b> 38 = 3000K C8 = 3500K 48 = 4000K 58 = 5000K  <b>90 Plus CRI</b> 49 = 4000K	<b>No Lens</b> 1 = 120° Open Optic (no lens) 5 = 55° Open Optic (no lens) 9 = 90° Open Optic (no lens)  <b>Diffused Lens</b> D = 120° with Diffused lens E = 55° with Diffused lens F = 90° with Diffused lens  <b>Clear Lens</b> A = 120° with Clear lens B = 55° with Clear lens C = 90° with Clear lens	N = None 2 = Motion Sensor FSP211 w/daylight Up to 40ft height (requires remote sold separately to modify settings) 4 = Wireless ZigBee Daintree™ Enabled w/ Motion Sensor T = Wireless ZigBee Daintree™ Enabled (no sensor) 120-277V only C = Occ Sense On/Off Aisle LSXR - 40 ft. height D = Occ Sense On/Off 360 LSXR - 40 ft. height  <b>NOTE:</b> 347/480V photocell/daylight and wireless controls are compatible with T and V outputs only. 347/480V T and V outputs with controls increase power consumption by ~5-10%, consult factory for more information.	V = 0-10V Dimming Q = Non-dimming	ST = Standard 22 = 1/2" Threaded rod mount kit SM = Surface Mount*  <b>3/4" conduit not included</b>  23 = 3/4" Pendant Mount Kit  41 = Y-Cable/ Hook 5 ft. 42 = Y-Cable/ Hook 10 ft. 43 = Y-Cable/ Hook 15 ft. 44 = Y-Cable/ Hook 20 ft.	K = Knockout A = 6 ft. 18ga cord B = 12 ft. 18ga cord C = 15 ft. 18ga cord D = 20 ft. 18ga cord F = 10 ft. Reloc G = 15 ft. Reloc	N = None A = 15A straight plug B = 20A straight plug C = 15A twist lock plug D = 20A twist lock plug S = Reloc OCS (use cord F or G)	W = White Powder Coat	<b>Blank</b> = No Special Options <b>1PK</b> = Single Pack (for dist. Stocking. Default is job pack) <b>EL1</b> = 120° Battery Backup* <b>EL5</b> = 50° Battery Backup*  *Battery Backup not available for 347V-480V

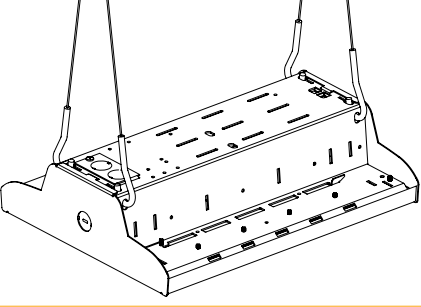
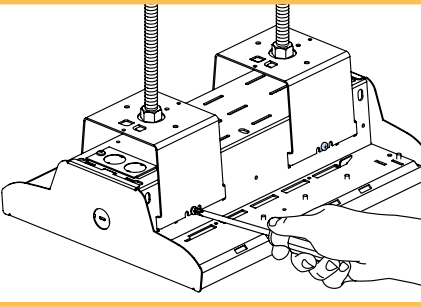
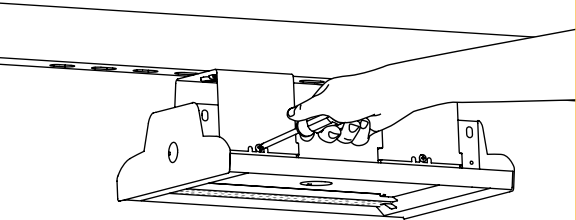
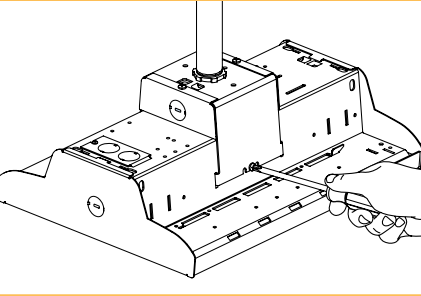


MODULE #	OUTPUT LEVEL	70 CRI @ 4000K OR 5000K CCT				MAXIMUM AMBIENT TEMPERATURE
		TYPICAL DELIVERED LUMENS	TYPICAL POWER		TYPICAL LPW 120-277V	
			120-277V	347/480V		
1	T	9,100	53	55	172	55°C
1	V	12,100	74	72	164	55°C
1	E	18,200	121	122	150	40°C*
2	T	18,300	107	107	171	55°C
2	V	24,300	148	151	164	55°C
2	E	36,400	243	244	150	40°C*
3	V	36,400	222	226	164	55°C

CRI	CCT	OUTPUT
70	5000K	100%
	4000K	100%
80	5000K	95.2%
	4000K	93.5%
	3500K	90.5%
90	3000K	88.9%
	4000K	81.4%

MODULE #	OUTPUT LEVEL	80 CRI @ 5000K CCT				MAXIMUM AMBIENT TEMPERATURE
		TYPICAL DELIVERED LUMENS	TYPICAL POWER		TYPICAL LPW 120-277V	
			120-277V	347/480V		
1	T	8,663	53	55	163	55°C
1	V	11,519	74	72	156	55°C
1	E	17,326	121	122	143	40°C*
2	T	17,422	107	107	163	55°C
2	V	23,134	148	151	156	55°C
2	E	34,653	243	244	143	40°C*
3	V	34,653	222	226	156	55°C

OPTIC CODE	OPTIC DESCRIPTION	OUTPUT
1	120° No Lens	100%
5	55° No Lens	93%
9	90° No Lens	96%
D	120° Diffused Lens	94%
E	55° Diffused Lens	88%
F	90° Diffused Lens	91%
A	120° Clear Lens	98%
B	55° Clear Lens	92%
C	90° Clear Lens	94%

# Mounting & Accessories

MOUNTING OPTIONS	IMAGE	ORDER LOGIC CODE
<p><b>Standard Chain/Cable Mount</b> Available on all fixture configurations (chain not included). Y-Cable w/hook can be ordered as an accessory.</p>		<p>ST = Standard</p>
<p><b>Rod Mount (optional)</b> Available on all fixture configurations. Attaches to 1/2" threaded rod (rod and nuts not included).</p>		<p>22 = 1/2" Threaded Rod Kit</p>
<p><b>Surface Mount* (optional)</b> Available on all fixture configurations. Attaches to structural member in ceiling. (Hardware not included.) <i>* Temperature rating reduced by 5°C</i></p>		<p>SM = Surface Mount</p>
<p><b>Pendant Mount (optional)</b> Available on all fixture configurations. Attaches to 3/4" threaded conduit (conduit not included).</p>		<p>23 = 3/4" Pendant Mount Kit</p>
<p><b>Y-Cable w/hook (optional)</b> Use with Standard Mounting Option only. Order separately. Price adder per pair. 5 ft., 10 ft., 15 ft., 20 ft. lengths available.</p>		<p>41=Y-Cable-Hook-05ft-Pair 42=Y-Cable-Hook-10ft-Pair 43=Y-Cable-Hook-15ft-Pair 44=Y-Cable-Hook-20ft-Pair Max Load: 200 lbs. per pair</p>
<p><b>Remote Handheld Configuration Tool</b> Order separately. Use with Watt Stopper™ remote sensors. Available with all 120-277V configurations. 347/480V configurations available with T and V outputs only.</p>		<p>Part Number: SWI0100</p>

Chain/cable mount is standard and included in price. Price adder for Y-Cable, Rod Mount, and Pendant Mount. Consult Sales for latest information. See "Installation Instructions" for mounting details.

# Albeo™ LED Luminaire

LED High Bay Lighting  
(ABV2 - Series)



Project name \_\_\_\_\_

Date \_\_\_\_\_

Type \_\_\_\_\_

## LED & Optical Assembly

**CRI:** 70 & 80 Standard (90 contact factory for lead-time)

**Rated Lumen Depreciation:** L70 @ 100,000 hrs

**TM-21 Calculation at 25C:**

T & V Outputs L90 @ 129,000 hrs

E Output L90 @ 84,000 hrs

**Distribution/Lenses:** Open Optic = No Lens standard

55, 90, 120 degrees no lens standard (most efficient)

55, 90, 120 degrees w/clear lens optional

55, 90, 120 degrees w/diffused lens optional

## Electrical

**Input Voltage:** 120-277V, 347V or 480V

**Input Frequency:** 50/60Hz

**System Power Factor (PF):** >0.9\*

**Total Harmonic Distortion (THD):** <20%\*

**LED Driver Type:** Class 1, 3kV min. surge protection

**EMI:** FCC CFR Title 47 Part 15, Class A

\* PF and THD may vary with options

## Ratings & Evaluations

**Operating Temperature:** -30°C to +55°C (-22°F to 131° F). \*E output temperature rated at -30°C to +40°C (-22°F to +104°F) for 120-277V with a maximum temperature rating reduced by 2° C for 347/480V.

**Storage Temperature:** -40°C to +70°C

**Surge Protection:** 3kV driver surge protection

**Location:** UL 1598 Suitable for Damp Locations

**Safety:** UL/cUL Listed  

**Environmental:** RoHS compliant

**Utility:** DLC Premium on all 70CRI options & select 80CRI options



Meets DLC Standard on all CRI versions

Please refer to:

<http://www.designlights.org/QPL>

for complete information.



## Construction & Finish

**Housing:** Combination steel and aluminum

**Lensing:** Polycarbonate diffused, acrylic clear

**Reflector:** White highly reflective polycarbonate

**Paint:** Powercoat Painted Housing

No glass in housing or lenses

**Weight:** 10lbs per module (see dimensional drawings)

## Controls

**Standard Dimming:** 0-10VDC

**Minimum Dimming:** Dim down to 10%

**Wireless Networking & Sensing:**

ZigBee Wireless Daintree with Occ Sensor – Sensor 4

ZigBee Wireless Daintree with No Sensor – Sensor T

Enlighted Sensor – Sensor 5

Wattstopper FSP Series Motion + daylight + IR config (IR remote sold separately) – Sensor 2

Wattstopper FSP remote = SKU# SWI0100

Sensor Switch LSX Series – Sensor B, C, or D

## Mounting

**Typical Mounting:** Standard Chain/Cable mount ready Threaded rod kit, 3/4" pendant mount kit, and surface mount\* optional.

\*Max. temperature rating reduced by 5°C

**Cord & Plugs:**

Standard = knockout access (no cord, no plug)

6 ft. 18-3 – Cord A

12 ft. 18-3 – Cord B

15A, 20A, Straight or twist lock plug – Plug A,B,C, or D

Reloc OCS Cord and Plug – Cord-Plug FS or GS

PlugNGo Plug Available upon request

## Accessories, Options & Packaging

**Optional Emergency Battery:** Provides 90-minutes of Emergency lighting. Design lumen output: 1650-1750lm. Fully independent LED system that does not degrade performance or ratings of the fixture. 120-277V Only Ships separately from fixture to avoid shipping damage.

**Standalone EMBB:** Order as field installed aftermarket or standalone solution for emergency Lighting. 2lbs  
SKU# 93059499 - ASM2430 50° beam 1750lm  
SKU# 93059499 - ASM2429 120° beam 1650lm

**Packaging:** Standard packaging is job pack / bulk pack consisting of 1 to 3 fixtures per package reducing unpack time at the jobsite.

Single Pack (for stocking) – Option 1PK

## Design Life & Warranty

- Reliability Testing: components and/or systems evaluation at extreme conditions and monitored during production
- System Warranty: 5 Year

**current**  
powered by GE

All trademarks are the property of their respective owners. Information provided is subject to change without notice. All values are design or typical values when measured under laboratory conditions. Current, powered by GE is a business of the General Electric Company.  
© 2017 GE.

